

## SINGLE-SEAL EXPANSION JOINT

Floor to Floor | Floor to Wall

30 - 75 mm ( 1 1/4 - 3" ) Expansion Gaps

# Maxatec 120 : V01-V02

## Features

### Surface

Smooth surface

Surface mounted

Centre supported and Americans with Disabilities Act (ADA) compliant across the entire movement cycle

### Movement

Good movement capacity

ASTM E-1399 Class I: Thermal

Class II: Wind

## Traffic Frequency per day

				
≤ 25,000	≤ 10	≤ 10	-	-

## System Options

Gap width(s)	30, 50, 75 mm
Height(s)	27 mm
Metal type(s)	6063 T5 & T6 Aluminium
Seal colour(s)	Black (RAL 7021) Grey (RAL 7038) Beige (RAL 1015)
Fire barrier	120-240 minutes
Waterproofing	Moisture barrier
Pre-assembly in factory	Contact Vexcolt



## APPLICATIONS

Airport Terminals | Educational | Exhibition Centres  
Department Stores | Distribution & Retail Warehouses  
Factories | Hospitals | Museums | Offices & Hotels  
Parking | Places of Worship | Residential Buildings  
Rail, Metros & Elevated Rail Stations | Roads & Bridges  
Shopping Centres | Sports Stadiums | Supermarkets

## SINGLE-SEAL EXPANSION JOINT

Floor to Floor | Floor to Wall  
30 - 75 mm ( 1 1/4 - 3" ) Expansion Gaps

# Maxatec 120 : V01-V02

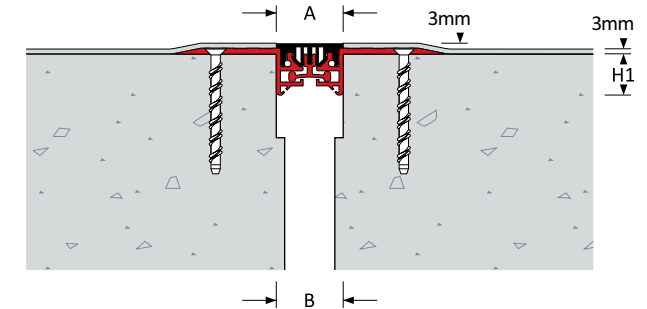
### Expansion Joint Selection Criteria

### Load Rating

### Product Details

Joint Location	Gap Width B (mm)	Movement Capacity (mm)		Eurocode Rating				Product Dimensions				Product Number	
		±	[Total]	Forklift	Forklift	Tractor	Truck	Height		Sightline A (mm)	Blockout C (mm)		
								H1 (mm)	H2 (mm)				
Floor - Floor	30	± 5	[10]	5 kN	46 kN	-	-	27	-	40	-	120-V01-030	
	50	± 10	[20]	2 kN	31 kN	-	-		-	71		120-V01-050	
	75	± 15	[30]						-	93		120-V01-075	
Floor - Wall	30	± 5	[10]	5 kN	46 kN	-	-	27	52	40	-	120-V02-030	
	50	± 10	[20]	2 kN	31 kN				-	78		71	120-V02-050
	75	± 15	[30]						-	93		120-V02-075	

Maxatec 120 : V01



Maxatec 120 : V02

