

METAL EXPANSION JOINT

Floor to Floor

25 - 300 mm (1 - 12") Expansion Gaps

Megatec 340 : S01

Features

Surface

80-grit surface finish to stainless steel for improved slip resistance
Americans with Disabilities Act (ADA) compliant
across the entire movement cycle

Movement

Seismic movement capacity

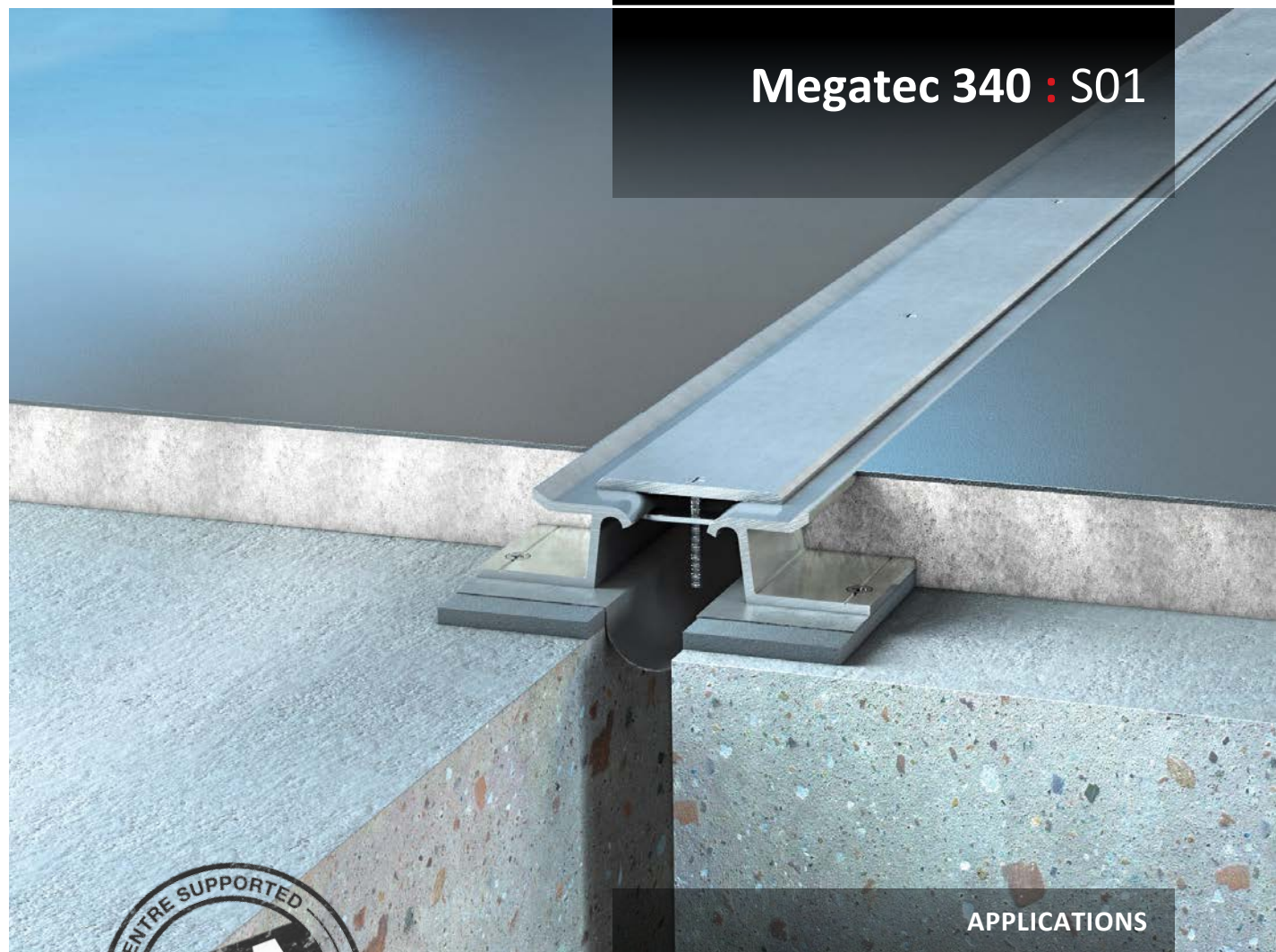
ASTM E-1399 Class I: Thermal
Class II: Wind
Class III: Seismic

Traffic Frequency per day

				
> 25,000	≤ 1,000	≤ 1,000	≤ 1,000	≤ 100

System Options

Gap width(s)	25, 50, 75, 100, 150, 200, 250, 300 mm
Height(s)	25, 38, 50 mm
Metal type(s)	6063 T5 & T6 Aluminium
Seal colour(s)	No seal used
Fire barrier	120-240 minutes
Waterproofing	Moisture barrier
Pre-assembly in factory	Contact Vexcolt



APPLICATIONS

Airport Terminals | Educational | Exhibition Centres
Department Stores | Distribution & Retail Warehouses
Factories | Hospitals | Museums | Offices & Hotels
Parking | Places of Worship | Residential Buildings
Rail, Metros & Elevated Rail Stations | Roads & Bridges
Shopping Centres | Sports Stadiums | Supermarkets

METAL EXPANSION JOINT

Floor to Floor




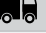
25 - 300 mm (1 - 12") Expansion Gaps

Megatec 340 : S01

Expansion Joint Selection Criteria

Load Rating

Product Details

Joint Location	Gap Width B(mm)	Movement Capacity (mm)		Eurocode Rating				Product Dimensions		Sightline A (mm)	Blockout C (mm)	Product Number
		±	[Total]					H1 (mm)	H2 (mm)			
Floor - Floor	25	± 12	[25]	20 kN	190 kN	30 kN	300 kN	25: 38: 50	-	126	190	340-S01-025-(H1)
	50	± 25	[50]	10 kN	100 kN					139	203	340-S01-050-(H1)
	75	± 37	[75]		46 kN					187	242	340-S01-075-(H1)
	100	± 50	[100]	5 kN	31 kN	216	280			340-S01-100-(H1)		
	150	± 75	[150]		-	308	372			340-S01-150-(H1)		
	200	± 100	[200]		-	408	472			340-S01-200-(H1)		
	250	± 125	[250]		-	522	586			340-S01-250-(H1)		
	300	± 150	[300]	-	-	622	686			340-S01-300-(H1)		

When specifying or ordering please add the **height (H1)** required to the Product Reference.

For example Megatec 340 : S01-100-038 denotes a joint 38mm high.

