

METAL EXPANSION JOINT

Floor to Floor | Floor to Wall

50 - 150 mm (2 - 6") Expansion Gaps

Megatec 350 : A01-A02

Features

Surface

Smooth transit

Hairline serrated surface for improved slip resistance

Americans with Disabilities Act (ADA) compliant across the entire movement cycle

Movement

Seismic movement capacity

ASTM E-1399 Class I: Thermal

Class II: Wind

Class III: Seismic

Traffic Frequency per day



> 25,000



≤ 1,000



≤ 1,000



≤ 1,000



≤ 100

System Options

Gap width(s)	50, 75, 100, 150 mm
Height(s)	38 mm
Metal type(s)	6063 T5 & T6 Aluminium
Seal colour(s)	No seal used
Fire barrier	120-240 minutes
Waterproofing	Moisture barrier
Pre-assembly in factory	Contact Vexcolt



APPLICATIONS

Airport Terminals | Educational | Exhibition Centres
Department Stores | Distribution & Retail Warehouses
Factories | Hospitals | Museums | Offices & Hotels
Parking | Places of Worship | Residential Buildings
Rail, Metros & Elevated Rail Stations | Roads & Bridges
Shopping Centres | Sports Stadiums | Supermarkets

METAL EXPANSION JOINT

Floor to Floor | Floor to Wall

50 - 150 mm (2 - 6") Expansion Gaps

Megatec 350 : A01-A02

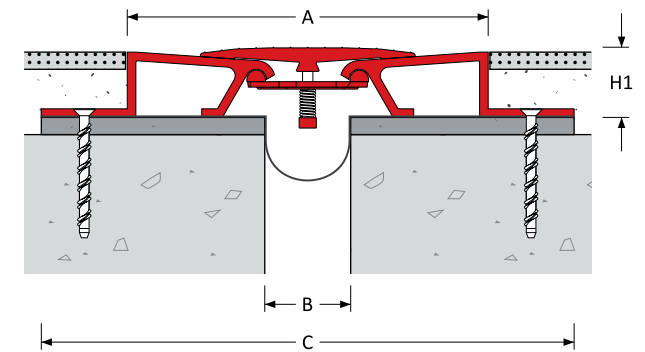
Expansion Joint Selection Criteria

Load Rating

Product Details

Joint Location	Gap Width B(mm)	Movement Capacity (mm)		Eurocode Rating				Product Dimensions				Product Number
		±	[Total]	Forklift	Tractor	Tram	Truck	Height		Sightline A (mm)	Blockout C (mm)	
								H1 (mm)	H2 (mm)			
Floor - Floor	50	± 25	[50]	20 kN	100 kN	30 kN	630 kN	38	-	210	310	350-A01-050
	75	± 37	[75]							225	325	350-A01-075
	100	± 50	[100]	10 kN	69 kN					277	378	350-A01-100
	150	± 75	[150]							392	492	350-A01-150
Floor - Wall	50	± 25	[50]	20 kN	100 kN	30 kN	630 kN	38	84	216	266	350-A02-050
	75	± 37	[75]							231	281	350-A02-075
	100	± 50	[100]	10 kN	69 kN					296	346	350-A02-100
	150	± 75	[150]							386	436	350-A02-150

Megatec 350 : A01



Megatec 350 : A02

