

EXTERNAL CENTRE PLATE EXPANSION JOINT

Roof to Roof | Roof to Wall

75 - 500 mm (3 - 20") Expansion Gaps

Megatec 600 : A25-A26

Features

Surface

Raised surface

Movement

Seismic movement capacity

ASTM E-1399 Class I: Thermal

Class II: Wind

Class III: Seismic

Traffic Frequency per day



-

-

-

-

-

System Options

Gap width(s) 75, 100, 150, 200, 300, 400, 500 mm

Height(s) 45 mm

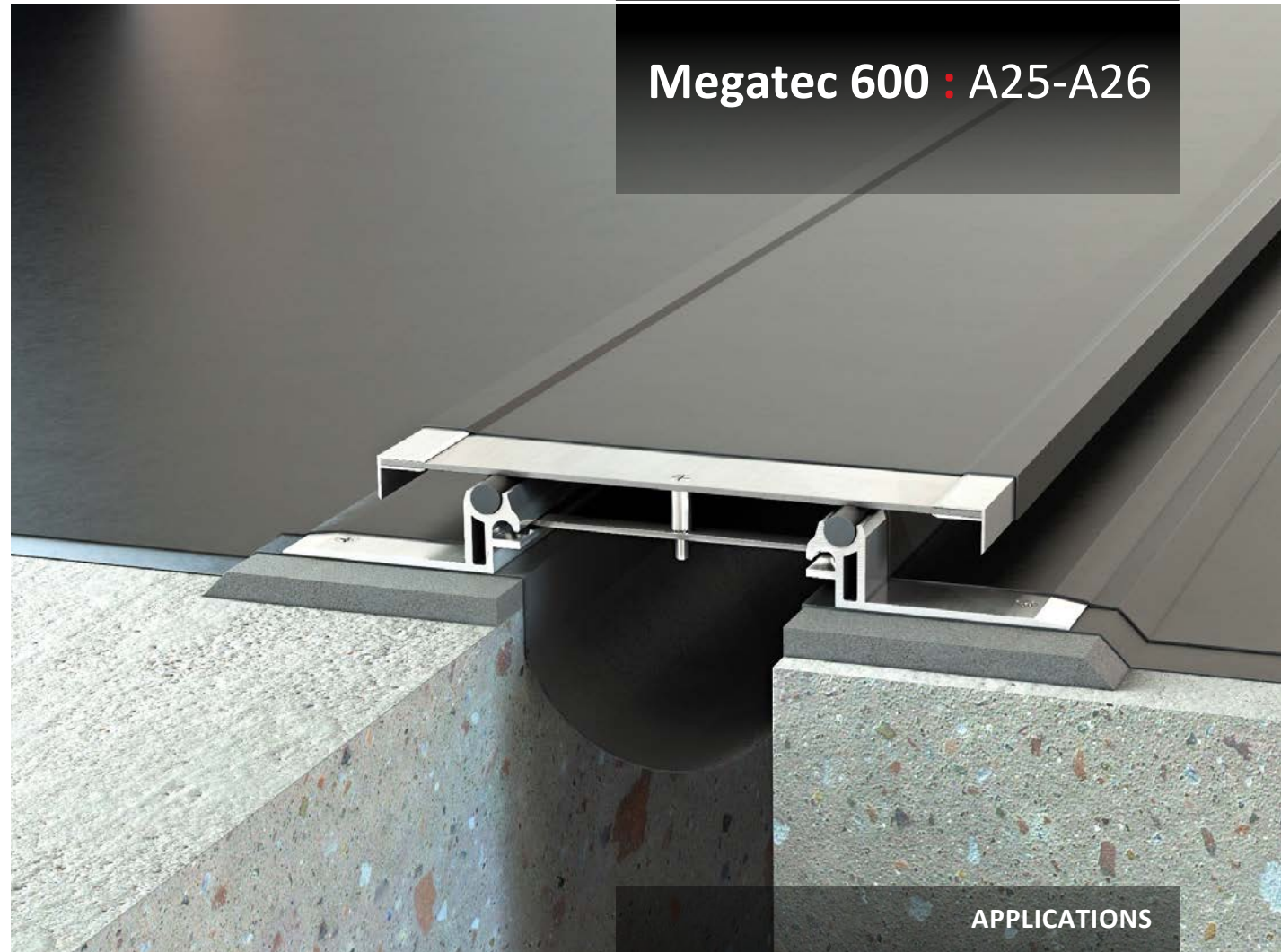
Metal type(s) 6063 T5 & T6 Aluminium

Colour(s) Mill finish Aluminium

Fire barrier 120-240 minutes

Waterproofing Moisture barrier

Pre-assembly in factory Contact Vexcolt



APPLICATIONS

Airport Terminals | Educational | Exhibition Centres
Department Stores | Distribution & Retail Warehouses
Factories | Hospitals | Museums | Offices & Hotels
Parking | Places of Worship | Residential Buildings
Rail, Metros & Elevated Rail Stations | Roads & Bridges
Shopping Centres | Sports Stadiums | Supermarkets

EXTERNAL CENTRE PLATE EXPANSION JOINT

Roof to Roof | Roof to Wall

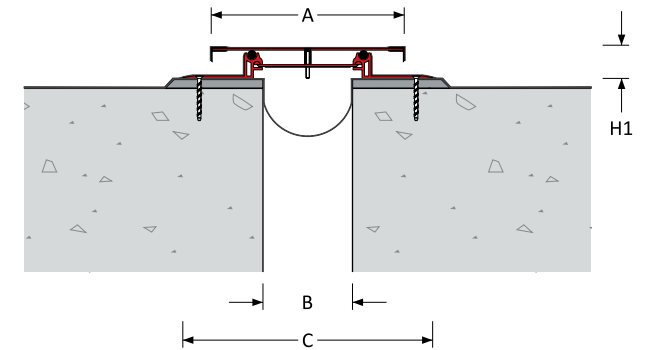
75 - 500 mm (3 - 20") Expansion Gaps

Expansion Joint Selection Criteria Load Rating Product Details

Joint Location	Gap Width B (mm)	Movement Capacity (mm)		Eurocode Rating				Product Dimensions		Sightline A (mm)	Blockout C (mm)	Product Number
		±	[Total]					Height				
							H1 (mm)	H2 (mm)				
Roof - Roof	75	± 37	[75]					52		212	344	600-A25-075-(H1)
	100	± 50	[100]							257	368	600-A25-100-(H1)
	150	± 75	[150]							323	418	600-A25-150-(H1)
	200	± 100	[200]	-	-	-	-	58		397	532	600-A25-200-(H1)
	300	± 150	[300]							547	649	600-A25-300-(H1)
	400	± 200	[400]							700	780	600-A25-400-(H1)
	500	± 250	[500]							842	922	600-A25-500-(H1)
Roof - Wall	75	± 37	[75]					52	95	183	228	600-A26-075-(H1)
	100	± 50	[100]							207	241	600-A26-100-(H1)
	150	± 75	[150]							260	268	600-A26-150-(H1)
	200	± 100	[200]	-	-	-	-			396	318	600-A26-200-(H1)
	300	± 150	[300]							418	495	600-A26-300-(H1)
	400	± 200	[400]							695	518	600-A26-400-(H1)
	500	± 250	[500]							791	618	600-A26-500-(H1)

Megatec 600 : A25-A26

Megatec 600 : A25



Megatec 600 : A26

