

## MECHANICAL EXPANSION JOINT

Floor to Floor

25 - 75 mm ( 1 - 3" ) Expansion Gaps

# Transatec 1100 : A01

## Features

### Surface

Americans with Disabilities Act (ADA) compliant across the entire movement cycle

Ribbed surface to TPE rubber for improved slip resistance

### Movement

Good movement capacity

ASTM E-1399 Class I: Thermal

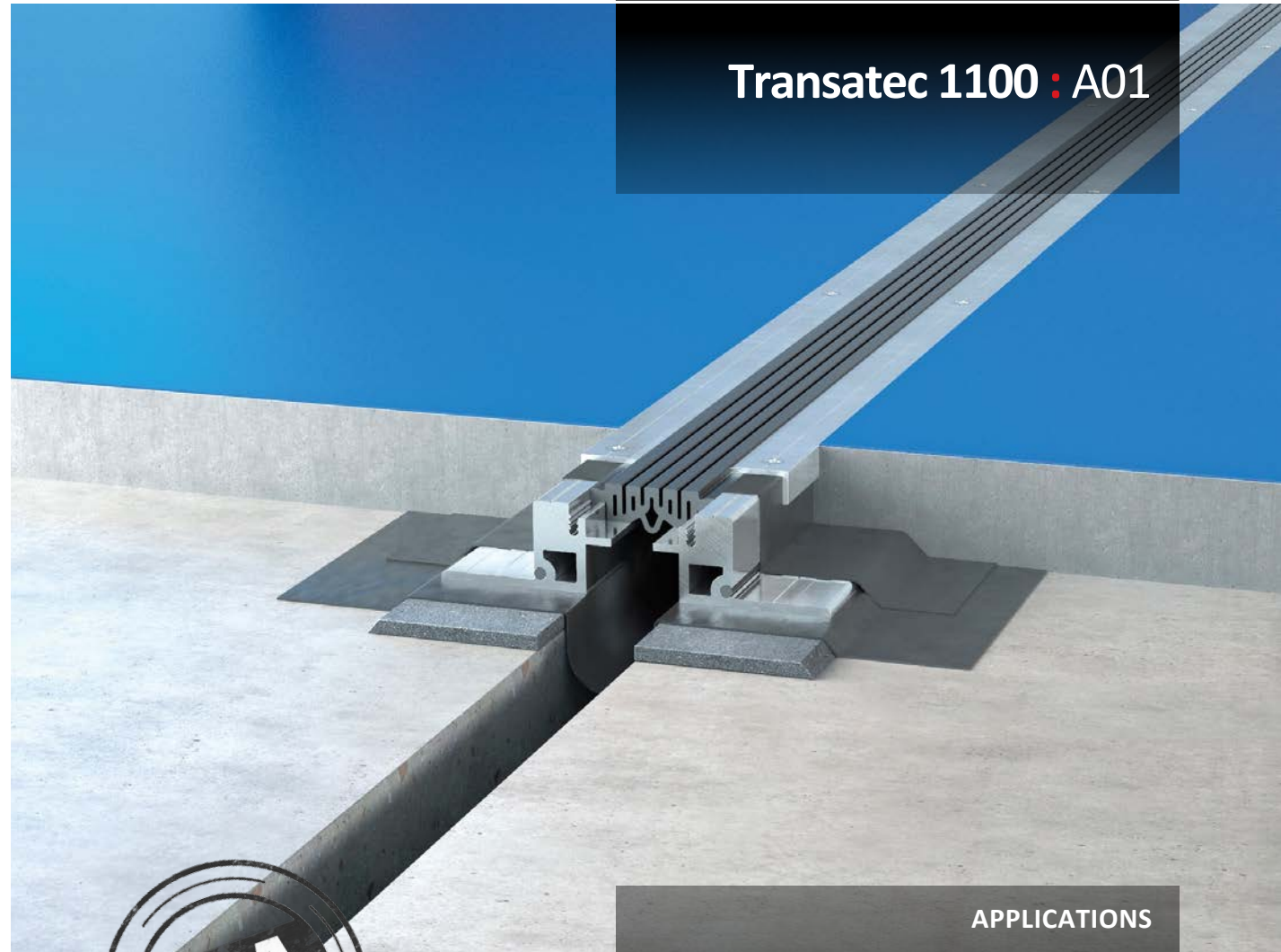
Class II: Wind

## Traffic Frequency per day

				
> 25,000	≤ 100	≤ 100	> 25,000	-

## System Options

Gap width(s)	25, 50, 75 mm
Height(s)	25, 50 mm
Metal type(s):	6063 T5 & T6 aluminium
Colour(s)	Black (RAL 7021)
Fire barrier	120-240 minutes
Waterproofing	Waterproofing membrane
Pre-assembly in factory	Contact Vexcolt



## APPLICATIONS

Airport Terminals | Educational | Exhibition Centres  
Department Stores | Distribution & Retail Warehouses  
Factories | Hospitals | Museums | Offices & Hotels  
Parking | Places of Worship | Residential Buildings  
Rail, Metros & Elevated Rail Stations | Roads & Bridges  
Shopping Centres | Sports Stadiums | Supermarkets

# MECHANICAL EXPANSION JOINT





Floor to Floor

25 - 75 mm ( 1 - 3" ) Expansion Gaps

## Expansion Joint Selection Criteria

## Load Rating

## Product Details

Joint Location	Gap Width B (mm)	Movement Capacity (mm)		Eurocode Rating				Product Dimensions				Product Number
		±	[Total]					Height		Sightline	Blockout	
								H1 (mm)	H2 (mm)	A (mm)	C (mm)	
Floor - Floor	25	+16/-8	[24]	5 kN	31 kN	30 kN	-	25:50	-	106	201	1100-A01-025-(H1)
	50	+25/-15	[40]							115	210	1100-A01-050-(H1)
	75	+35/-25	[60]							140	235	1100-A01-075-(H1)

When specifying or ordering please add the **height (H1)** required to the Product Reference.

For example Transatec 1100 : A01-050-025 denotes a joint 25mm high.

1100 : A01 and A02 joints have aluminium cappings as standard.

# Transatec 1100 : A01

