

MECHANICAL EXPANSION JOINT

Floor to Floor | Floor to Wall

25 - 125 mm (1 - 5") Expansion Gaps

Transatec 1130 : A01-A02

Features

Surface

Pedestrian friendly

Centre supported and Americans with Disabilities Act (ADA) compliant across the entire movement cycle

Ribbed surface for improved slip resistance

Movement

Good movement capacity

ASTM E-1399 Class I: Thermal

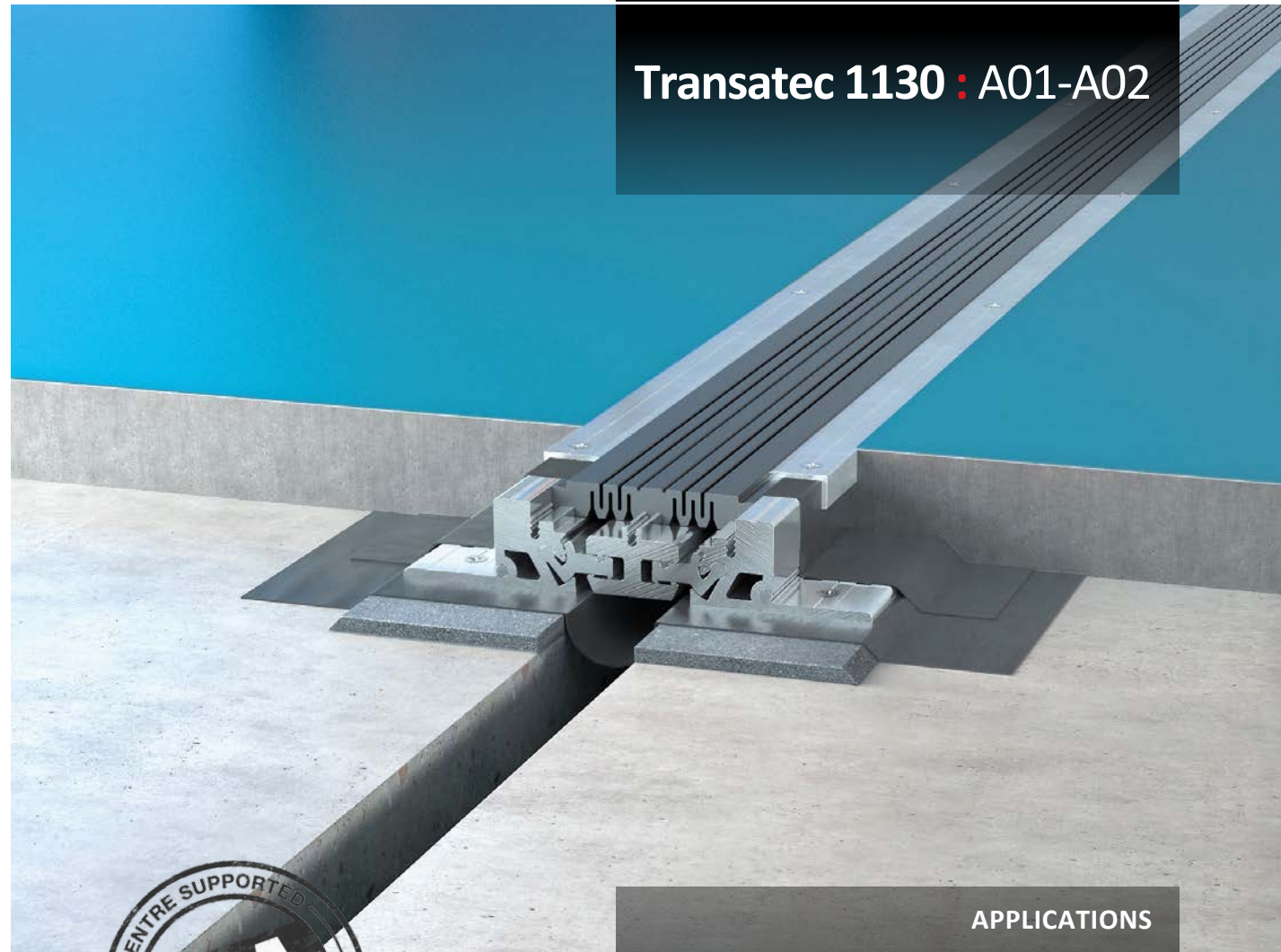
Class II: Wind

Traffic Frequency per day

				
> 25,000	≤ 1,000	≤ 1,000	> 25,000	≤ 100

System Options

Gap width(s)	25, 50, 75, 100, 125 mm
Height(s)	50 mm
Metal type(s):	6063 T5 & T6 aluminium
Colour(s)	Black (RAL 7021)
Fire barrier	120-240 minutes
Waterproofing	Waterproofing membrane
Pre-assembly in factory	Contact Vexcolt



APPLICATIONS

Airport Terminals | Educational | Exhibition Centres
Department Stores | Distribution & Retail Warehouses
Factories | Hospitals | Museums | Offices & Hotels
Parking | Places of Worship | Residential Buildings
Rail, Metros & Elevated Rail Stations | Roads & Bridges
Shopping Centres | Sports Stadiums | Supermarkets

MECHANICAL EXPANSION JOINT

Floor to Floor | Floor to Wall

25 - 125 mm (1 - 5") Expansion Gaps

Expansion Joint Selection Criteria Load Rating Product Details

Joint Location	Gap Width B (mm)	Movement Capacity (mm)		Eurocode Rating				Product Dimensions		Sightline A (mm)	Blockout C (mm)	Product Number
		±	[Total]					H1 (mm)	H2 (mm)			
Floor - Floor Deck - Deck	25	± 5	[10]	10 kN	46 kN	30 kN	120 kN	50	-	139	234	1130-A01-025
	50	± 12	[24]							164	259	1130-A01-050
	75	± 20	[40]							185	280	1130-A01-075
	100	± 30	[60]	5 kN	31 kN	30 kN	209			304	1130-A01-100	
	125	± 35	[70]				233			328	1130-A01-125	
Floor - Wall Deck - Wall	25	± 5	[10]	10 kN	46 kN	30 kN	120 kN	50	81	140	188	1130-A02-025
	50	± 12	[24]							165	213	1130-A02-050
	75	± 20	[40]							186	233	1130-A02-075
	100	± 30	[60]	5 kN	31 kN	30 kN	210			257	1130-A02-100	
	125	± 35	[70]				234			281	1130-A02-125	

Transatec 1130 : A01-A02

