

MECHANICAL EXPANSION JOINT

Floor to Floor | Floor to Wall

25 - 125 mm (1 - 5") Expansion Gaps

Transatec 1130 : S01-S02

Features

Surface

80-grit surface finish to stainless steel and ribbed surface to TPE rubber for improved slip resistance

Centre supported and Americans with Disabilities Act (ADA) compliant across the entire movement cycle

Movement and Load

Good movement capacity

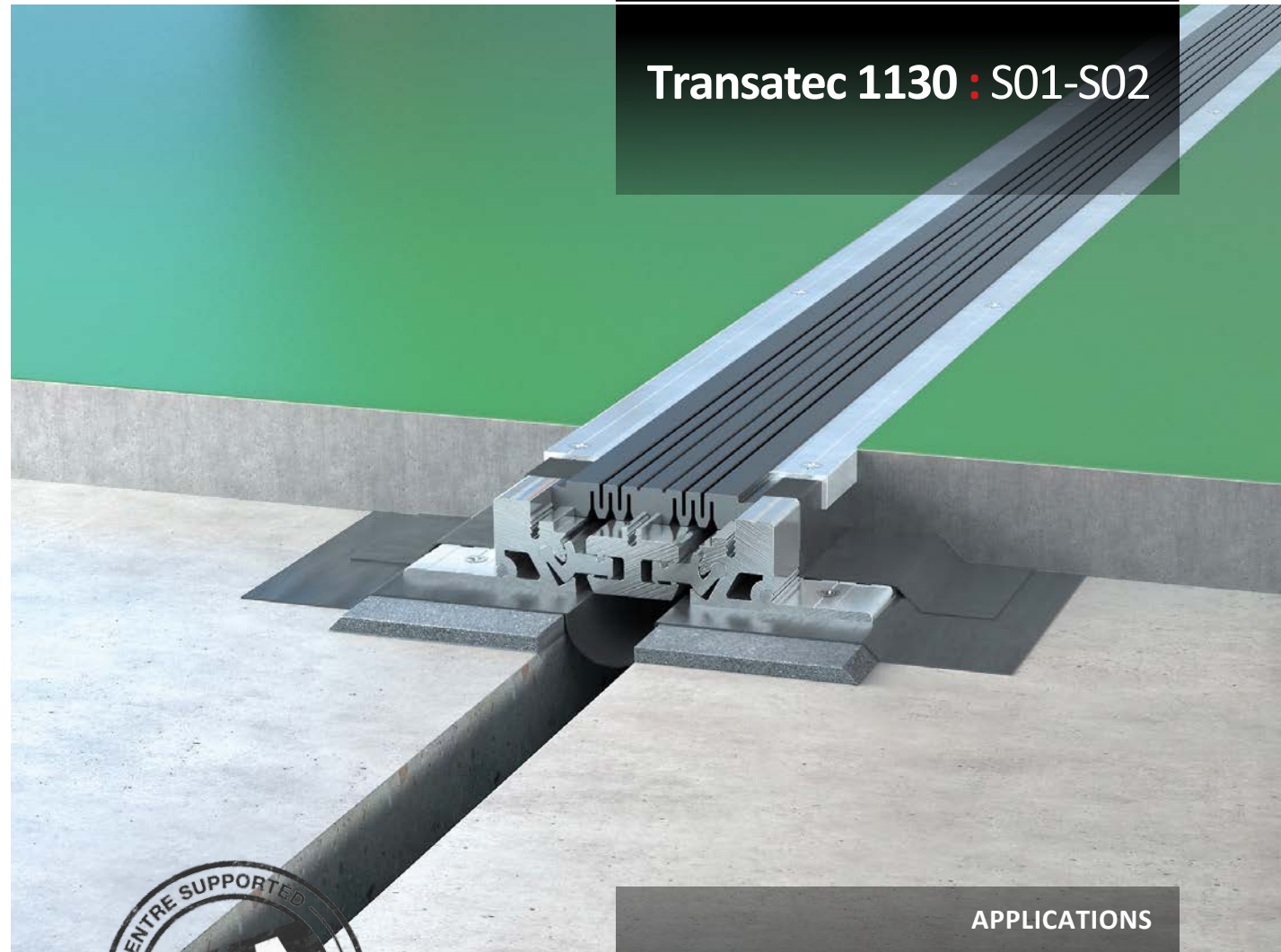
ASTM E-1399 Class I: Thermal
Class II: Wind

Traffic Frequency per day

				
> 25,000	≤ 1,000	≤ 1,000	> 25,000	≤ 100

System Options

Gap width(s)	25, 50, 75, 100, 125 mm
Height(s)	50 mm
Metal type(s):	6063 T5 & T6 aluminium
	<i>Standard:</i> 304-grade stainless steel cappings
	<i>Optional:</i> 316-grade stainless steel cappings
Colour(s)	Black (RAL 7021)
Fire barrier	120-240 minutes
Waterproofing	Waterproofing membrane
Pre-assembly in factory	Contact Vexcolt



APPLICATIONS

Airport Terminals | Educational | Exhibition Centres
Department Stores | Distribution & Retail Warehouses
Factories | Hospitals | Museums | Offices & Hotels
Parking | Places of Worship | Residential Buildings
Rail, Metros & Elevated Rail Stations | Roads & Bridges
Shopping Centres | Sports Stadiums | Supermarkets

MECHANICAL EXPANSION JOINT

Floor to Floor | Floor to Wall

25 - 125 mm (1 - 5") Expansion Gaps

Expansion Joint Selection Criteria Load Rating

Product Details

Joint Location	Gap Width B (mm)	Movement Capacity (mm)		Eurocode Rating				Product Dimensions		Sightline A (mm)	Blockout C (mm)	Product Number
		±	[Total]					H1 (mm)	H2 (mm)			
Floor - Floor Deck - Deck	25	± 5	[10]	10 kN	46 kN	30 kN	120 kN	50	-	139	234	1130-S01-025
	50	± 12	[24]							164	259	1130-S01-050
	75	± 20	[40]							185	280	1130-S01-075
	100	± 30	[60]	5 kN	31 kN	30 kN	209			304	1130-S01-100	
	125	± 35	[70]				233			328	1130-S01-125	
Floor - Wall Deck - Wall	25	± 5	[10]	10 kN	46 kN	30 kN	120 kN	50	81	140	188	1130-S02-025
	50	± 12	[24]							165	213	1130-S02-050
	75	± 20	[40]							186	233	1130-S02-075
	100	± 30	[60]	5 kN	31 kN	30 kN	210			257	1130-S02-100	
	125	± 35	[70]				234			281	1130-S02-125	

Transatec 1130 : S01-S02

