

METAL EXPANSION JOINT

Floor to Floor

25 - 75 mm (1 - 3") Expansion Gaps

Features

Surface

Smooth transit

80-grit surface finish to stainless steel for improved slip resistance
Americans with Disabilities Act (ADA) compliant
across the entire movement cycle

Movement

Good movement capacity

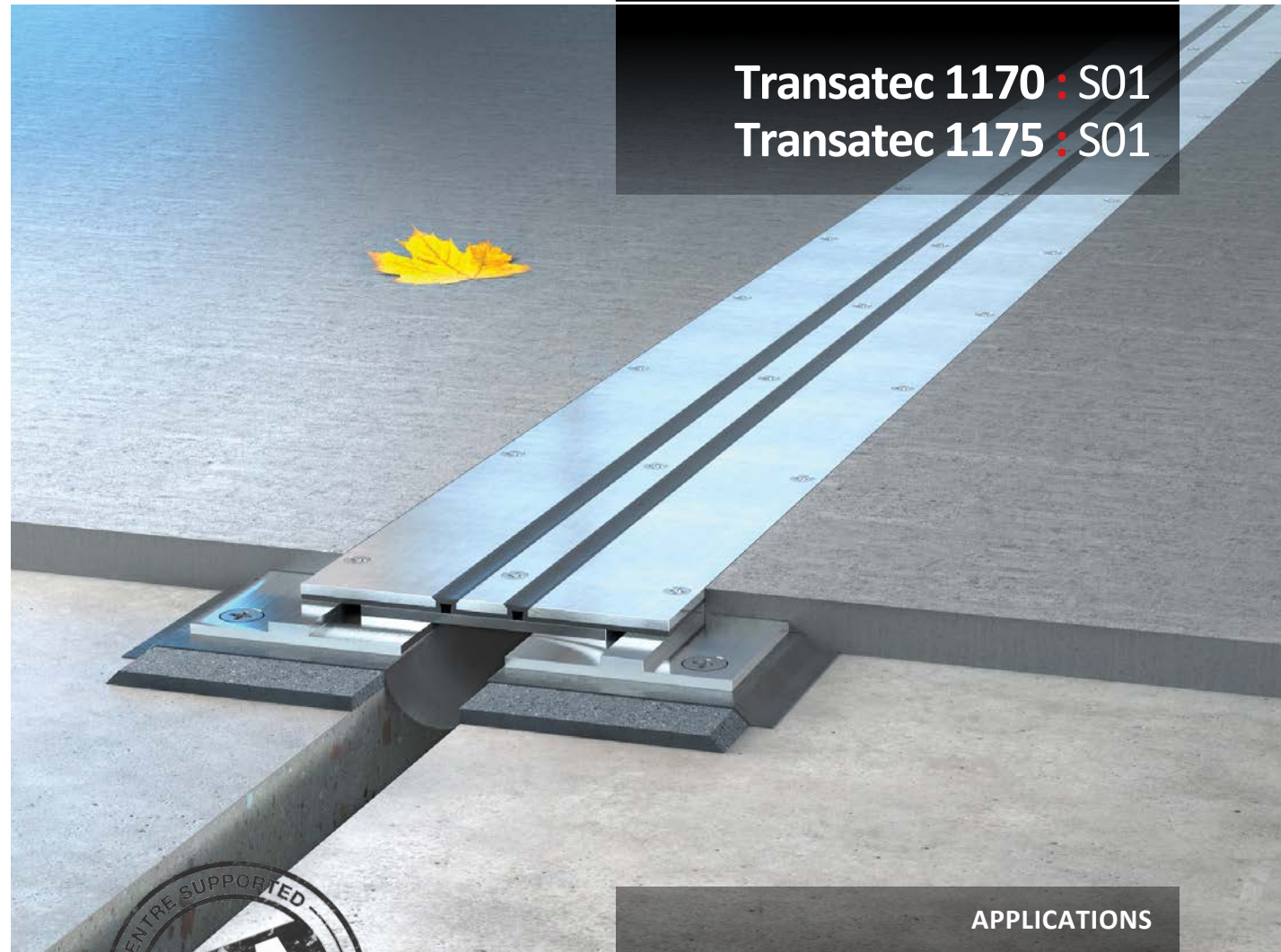
ASTM E-1399 Class I: Thermal
Class II: Wind

Traffic Frequency per day

				
> 25,000	≤ 2,500	≤ 2,500	> 25,000	≤ 100

System Options

Gap width(s)	25, 50, 75 mm
Height(s)	18, 28, 38, 53 mm - Transatec 1170 15, 25, 35, 50 mm - Transatec 1175
Metal type(s):	<i>Top Plates:</i> 304-grade Stainless Steel Optional 316-grade
	<i>Sub-structure:</i> Galvanised Steel Plate
Colour(s)	Black (RAL 7021)
Fire barrier	120-240 minutes
Waterproofing	Waterproofing membrane
Pre-assembly in factory	Contact Vexcolt



Transatec 1170 : S01
Transatec 1175 : S01



APPLICATIONS

Airport Terminals | Educational | Exhibition Centres
Department Stores | Distribution & Retail Warehouses
Factories | Hospitals | Museums | Offices & Hotels
Parking | Places of Worship | Residential Buildings
Rail, Metros & Elevated Rail Stations | Roads & Bridges
Shopping Centres | Sports Stadiums | Supermarkets

METAL EXPANSION JOINT

Floor to Floor

25 - 75 mm (1 - 3") Expansion Gaps




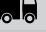
Transatec 1170 : S01

Transatec 1175 : S01

Expansion Joint Selection Criteria

Load Rating

Product Details

Joint Location	Gap Width B(mm)	Movement Capacity (mm)		Eurocode Rating				Product Dimensions				Product Number
		±	[Total]					Height		Sightline A (mm)	Blockout C (mm)	
								H1 (mm)	H2 (mm)			
Floor - Floor	25	± 5	[10]	20 kN	100 kN	30 kN	630 kN	18: 28:	-	85	170	1170-S01-025-(H1)
	50	± 10	[20]					38: 53		180	250	1170-S01-050-(H1)
	75	± 15	[30]					225		335	1170-S01-075-(H1)	
Floor - Floor	25	± 10	[20]	20 kN	100 kN	30 kN	630 kN	15: 25:	-	85	170	1175-S01-025-(H1)
	50	± 20	[40]					35: 50		180	250	1175-S01-050-(H1)
	75	± 25	[50]					225		335	1175-S01-075-(H1)	

When specifying or ordering please add the **height (H1)** required to the Product Reference. For example 1170-S01-050-038 denotes a joint 38mm high.

